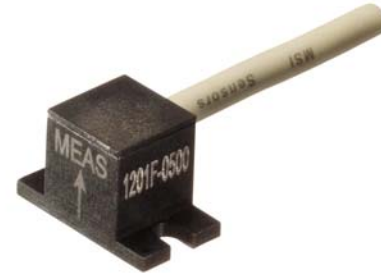


Model 1201F Accelerometer



DC Response Accelerometer
Durable, Low Noise Cable
Vehicle Crush Zone Testing
Low Cost, High Performance



The **Model 1201 Accelerometer** is a small, compact uniaxial device designed for vehicle impact and road testing. Its mechanical overload stops provide high shock protection in rugged applications. Featuring ranges from ± 50 g to ± 1000 g and frequency response to 3000 Hz, this sensor is easily mounted in hard to get places on vehicles under test. For a similar accelerometer designed for adhesive mounting, see the model 1201.

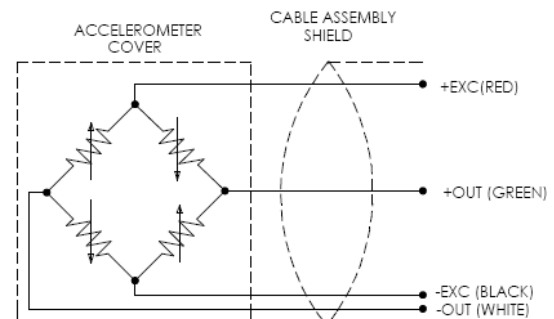
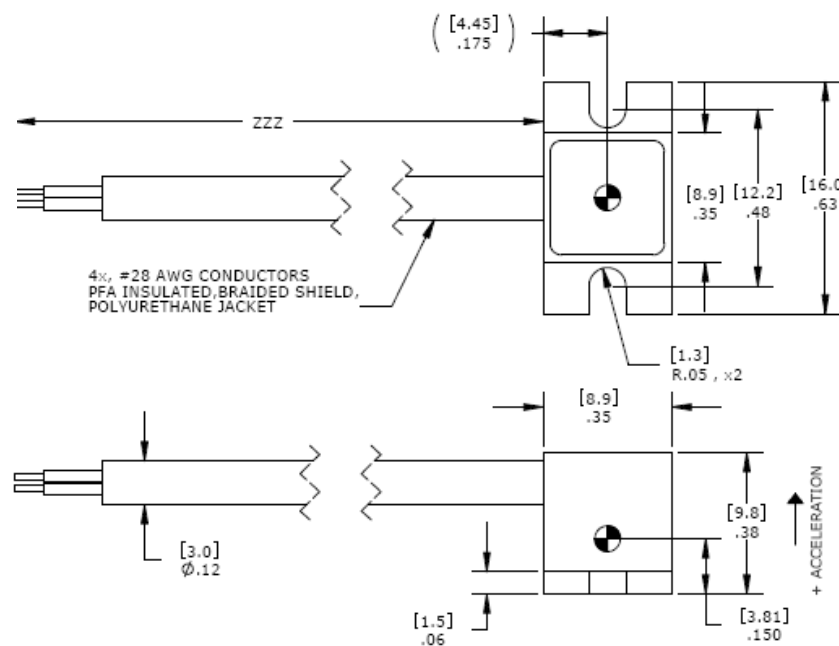
FEATURES

- Advanced MEMS Sensing Element
- ± 50 g to ± 1000 g Dynamic Range
- 2-10 Vdc Excitation
- 0-50 °C Temperature Range
- ± 40 mV Zero Measurand Output
- Gas Damping
- Connector Options
- Mechanical Overload Stops

APPLICATIONS

- Crash Testing
- Crush Zone Testing
- Impact Testing
- Off-Road Testing
- Transportation Testing

dimensions



Model 1201F Accelerometer

performance specifications

All values are typical at $\pm 24^{\circ}\text{C}$, 100 Hz and 10 Vdc excitation unless otherwise stated. Measurement Specialties reserves the right to update and change these specifications without notice. Standard product parameters are described in PSC-1004 for Plug & Play DC Accelerometers.

Parameters	-0050	-0100	-0200	-0500	-1000	Notes
DYNAMIC						
Range(g)	± 50	± 100	± 200	± 500	± 1000	
Sensitivity (mV/g) ¹	2.0	0.9	0.9	0.40	0.15	@ 10Vdc excitation $\pm 5\%$
Frequency Response (Hz)	0-800	0-1000	0-1400	0-2000	0-3000	
Natural Frequency (Hz)	2000	3000	4000	6000	7000	
Non-Linearity (% FS)	± 1	± 1	± 1	± 1	± 1	
Damping Ratio	0.7	0.7	0.7	0.6	0.5	Typical
Transverse Sensitivity (%)	<3	<3	<3	<3	<3	
Shock Limit (g)	3000	3000	4000	5000	5000	
ELECTRICAL						
Zero Acceleration Output (mV)	< ± 40					
Excitation (Vdc)	2 to 10					
Input Resistance (Ω)	2400-6000					
Output Resistance (Ω)	2400-6000					
Insulation Resistance (M Ω)	>100					@50Vdc
Ground Isolation	Isolated from mounting surface.					
ENVIRONMENTAL						
Thermal Zero Shift (%FSO/ $^{\circ}\text{C}$)	± 0.05					From 0 to $+50^{\circ}\text{C}$
Thermal Sensitivity Shift (%/ $^{\circ}\text{C}$)	± 0.2					From 0 to $+50^{\circ}\text{C}$
Operating Temperature ($^{\circ}\text{C}$)	-20 to +85					
Humidity	Epoxy Sealed, IP65					
PHYSICAL						
Case Material	Anodized Aluminum					
Cable	4x #28 AWG Conductors, PFA Insulated, Braided Shield, PU Jacket					
Weight (grams)	<2.5					Cable Not Included
Mounting	2x #2-56 socket head cap screws					Torque 4 lb-in
OPTION						
Model 1201FL-GGGG-CCC	With transverse sensing direction (parallel to mounting surface)					
¹ Output is ratiometric to excitation voltage						
Calibration supplied:	CS-FREQ-0100	NIST Traceable Amplitude Calibration from 20Hz to $\pm 5\%$ Frequency Limit				
Optional accessories:	101	Three Channel DC Signal Conditioner Amplifier				
	140	Auto-zero Inline Amplifier				

The information in this sheet has been carefully reviewed and is believed to be accurate; however, no responsibility is assumed for inaccuracies. Furthermore, this information does not convey to the purchaser of such devices any license under the patent rights to the manufacturer. Measurement Specialties, Inc. reserves the right to make changes without further notice to any product herein. Measurement Specialties, Inc. makes no warranty, representation or guarantee regarding the suitability of its product for any particular purpose, nor does Measurement Specialties, Inc. assume any liability arising out of the application or use of any product or circuit and specifically disclaims any and all liability, including without limitation consequential or incidental damages. Typical parameters can and do vary in different applications. All operating parameters must be validated for each customer application by customer's technical experts. Measurement Specialties, Inc. does not convey any license under its patent rights nor the rights of others.

ordering info

PART NUMBERING Model Number+Range+Cable Length+Options

1201F-GGGG-ZZZ-XXX

| | | Options (otherwise leave blank)
| | Cable (360 is 360 inches)
| Range (0100 is 100 g)

Optional Dash Numbers

-001 5Vdc Calibration
-002 2Vdc Calibration
-005 Lemo FGG.1B.307 and Dallas DS2401 Installed

Example: 1201F-1000-360

Standard Configuration: 1000g, 360" (30ft) cable, No Options