

MODEL 3303
UPPER NECK LOAD CELL
CALIBRATION FIXTURE MODEL 2028

MODEL 3303
LOWER NECK LOAD CELL
(SAME AS UPPER NECK)
CALIBRATION FIXTURE MODEL 2028

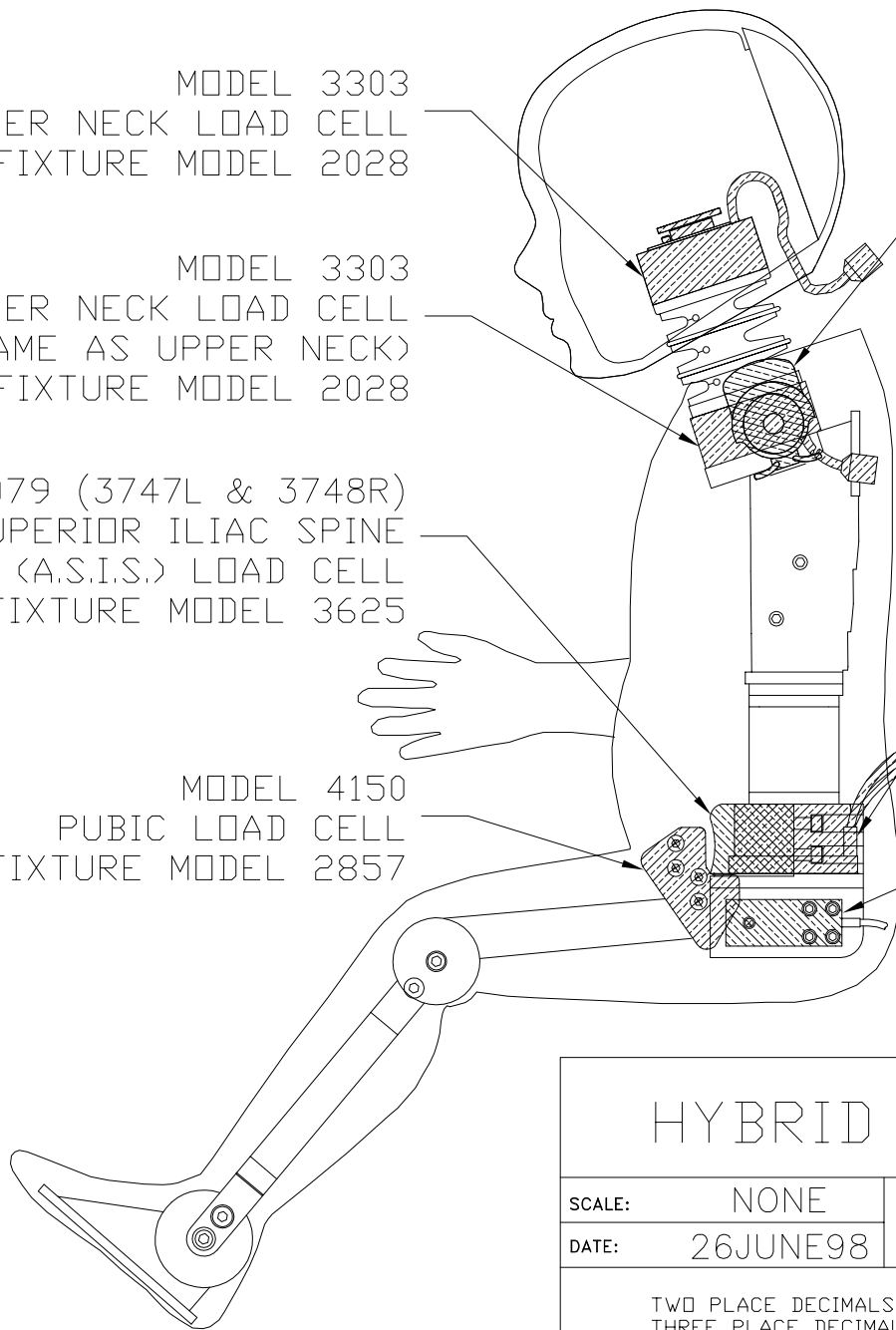
MODEL 3079 (3747L & 3748R)
ANTERIOR SUPERIOR ILIAC SPINE
(A.S.I.S.) LOAD CELL
CALIBRATION FIXTURE MODEL 3625

MODEL 4150
PUBIC LOAD CELL
CALIBRATION FIXTURE MODEL 2857

MODEL 3911
SHOULDER LOAD CELL
CALIBRATION FIXTURE MODEL 4034

MODEL 2944
LUMBAR LOAD CELL
CALIBRATION FIXTURE MODEL 3437

MODEL 2945
ACETABULUM LOAD CELL
CALIBRATION FIXTURE MODEL 3222



HYBRID III THREE YEAR OLD

SCALE: NONE
DATE: 26JUNE98

DRAWN BY: R. DuPont
MODEL: H3-3Y0

UNLESS OTHERWISE SPECIFIED
TWO PLACE DECIMALS ± .010 SURFACE FINISH 125 ✓
THREE PLACE DECIMALS ± .005 REMOVE ALL BURRS & SHARP EDGES
ANGLES ± 0° 30' DIMENSION LIMITS HELD AFTER PLATING



ROBERT A. DENTON, INC.
ROCHESTER HILLS, MICHIGAN

DRAWING NUMBER:
H3-3Y0