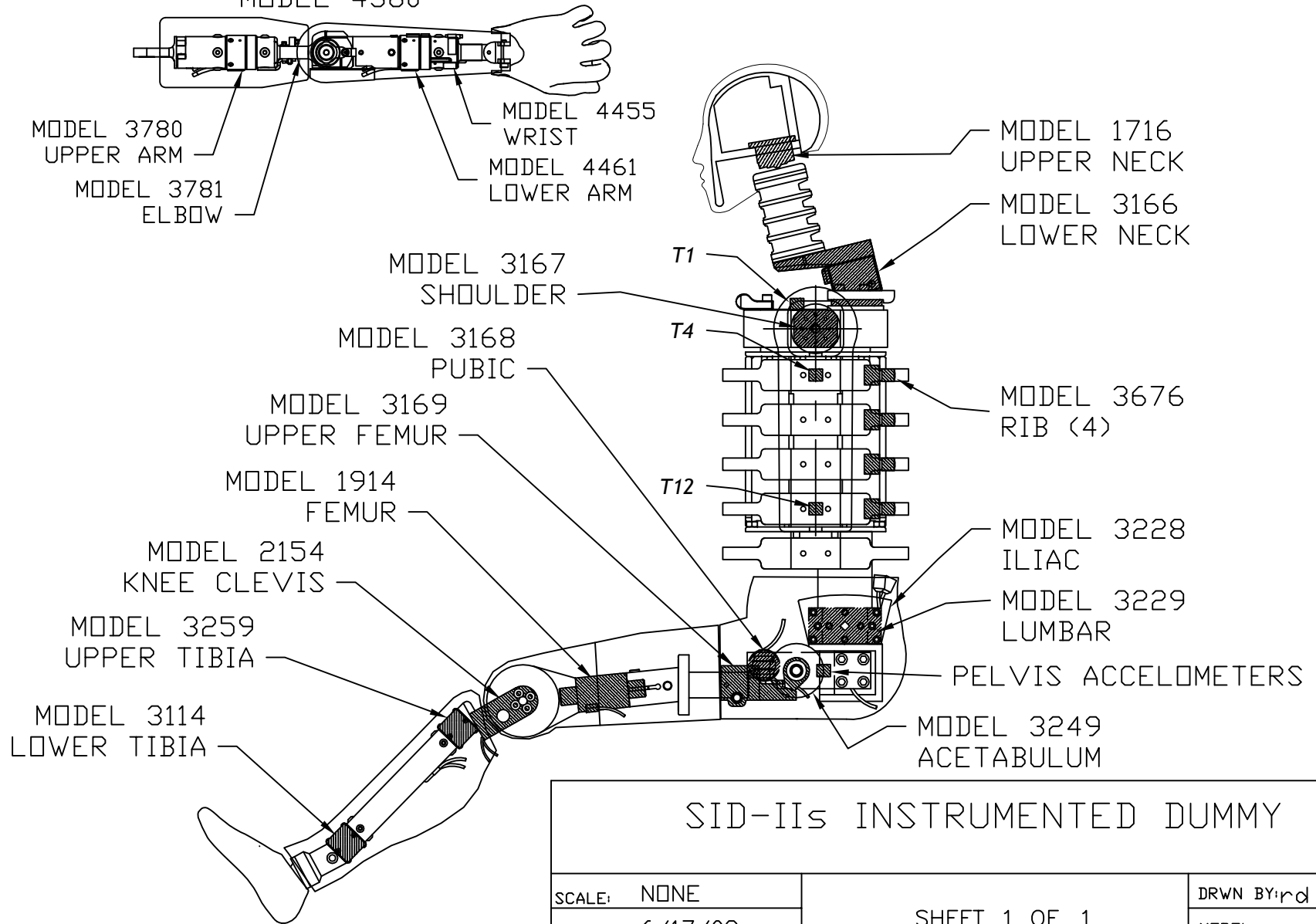


OPTIONAL INSTRUMENTED ARM

MODEL 4380



SID-II_s INSTRUMENTED DUMMY

SCALE: NONE

DATE: 6/17/02

SHEET 1 OF 1

DRWN BY:rd

MODEL:

UNLESS OTHERWISE SPECIFIED
 TWO PLACE DECIMALS ± 0.010 SURFACE FINISH 125 ✓
 THREE PLACE DECIMALS ± 0.005 REMOVE ALL BURRS & SHARP EDGES
 ANGLES ± 0° 30' DIMENSION LIMITS HELD AFTER PLATING



ROBERT A. DENTON, INC.

ROCHESTER HILLS, MICHIGAN

DRAWING NUMBER:

4168